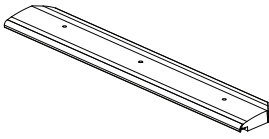
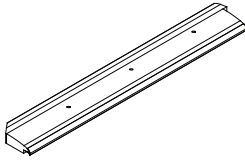
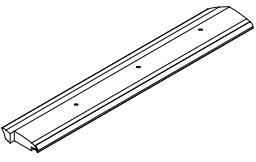
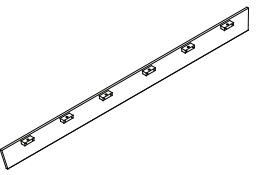
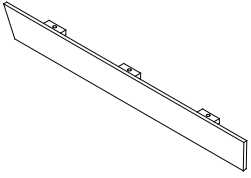
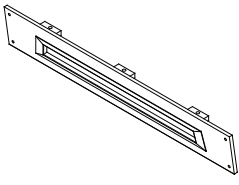
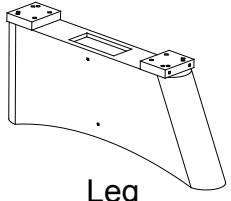
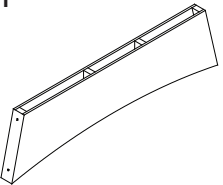
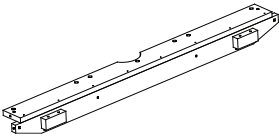
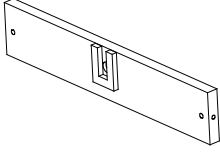
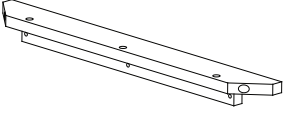
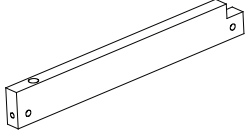
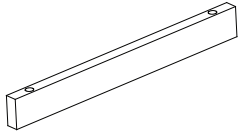
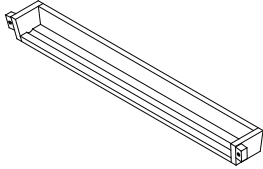





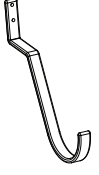


# Century Billiard Table

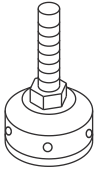
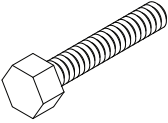
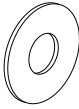
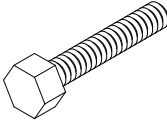
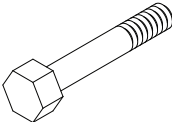
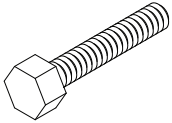

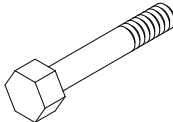
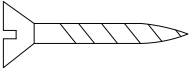
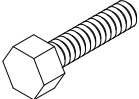
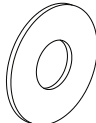
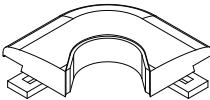
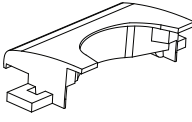
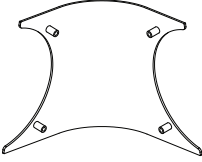
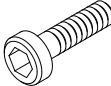
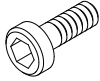

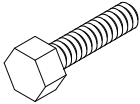


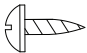
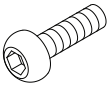



Item No.: 9200.908  
9200.909

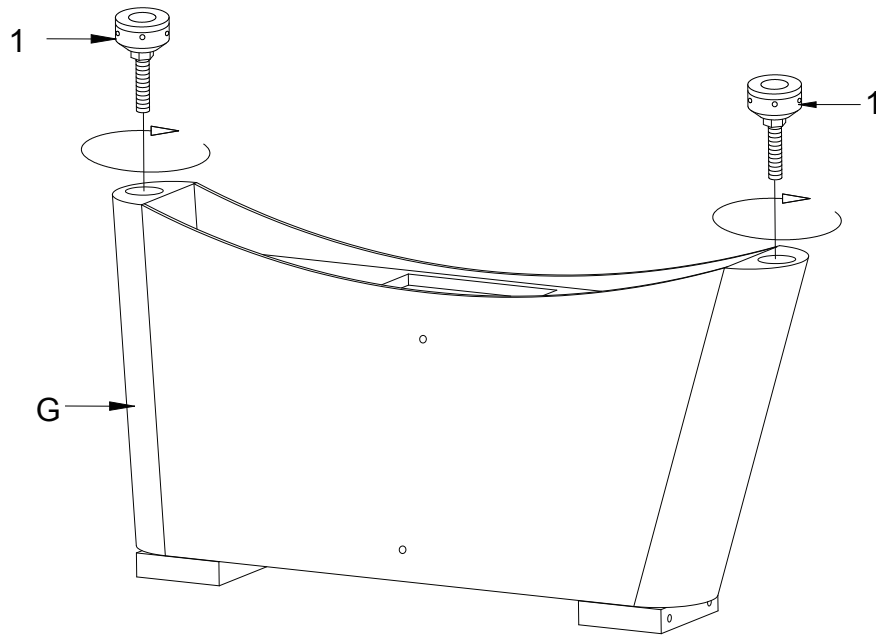
# Parts List

<p><b>A</b></p>  <p>End rail 2 pieces</p>	<p><b>B</b></p>  <p>Side rail A 2 pieces</p>	<p><b>C</b></p>  <p>Side rail B 2 pieces</p>	<p><b>D</b></p>  <p>Side apron 2 pieces</p>
<p><b>E</b></p>  <p>End apron 1 piece</p>	<p><b>F</b></p>  <p>End apron 1 piece</p>	<p><b>G</b></p>  <p>Leg 2 pieces</p>	<p><b>H</b></p>  <p>Leg stretcher 1 Piece</p>
<p><b>I</b></p>  <p>Main Beam 2 pieces</p>	<p><b>J</b></p>  <p>Mid cross beam 2 pieces</p>	<p><b>K</b></p>  <p>End cross beam 2 pieces</p>	<p><b>L</b></p>  <p>Cross beam(A) 2 pieces</p>
<p><b>M</b></p>  <p>Cross beam(B) 1 Piece</p>	<p><b>N</b></p>  <p>Ball storage 1 Piece</p>	<p><b>O</b></p>  <p>Slate 1 Set</p>	<p><b>P</b></p>  <p>Cloth 1 Set</p>
<p><b>Q</b></p>  <p>Basket A 4 pieces</p>	<p><b>R</b></p>  <p>Basket B 2 pieces</p>	<p><b>S</b></p>  <p>Basket C 6 pieces</p>	<p><b>T</b></p>  <p>Cue support 3 pieces</p>

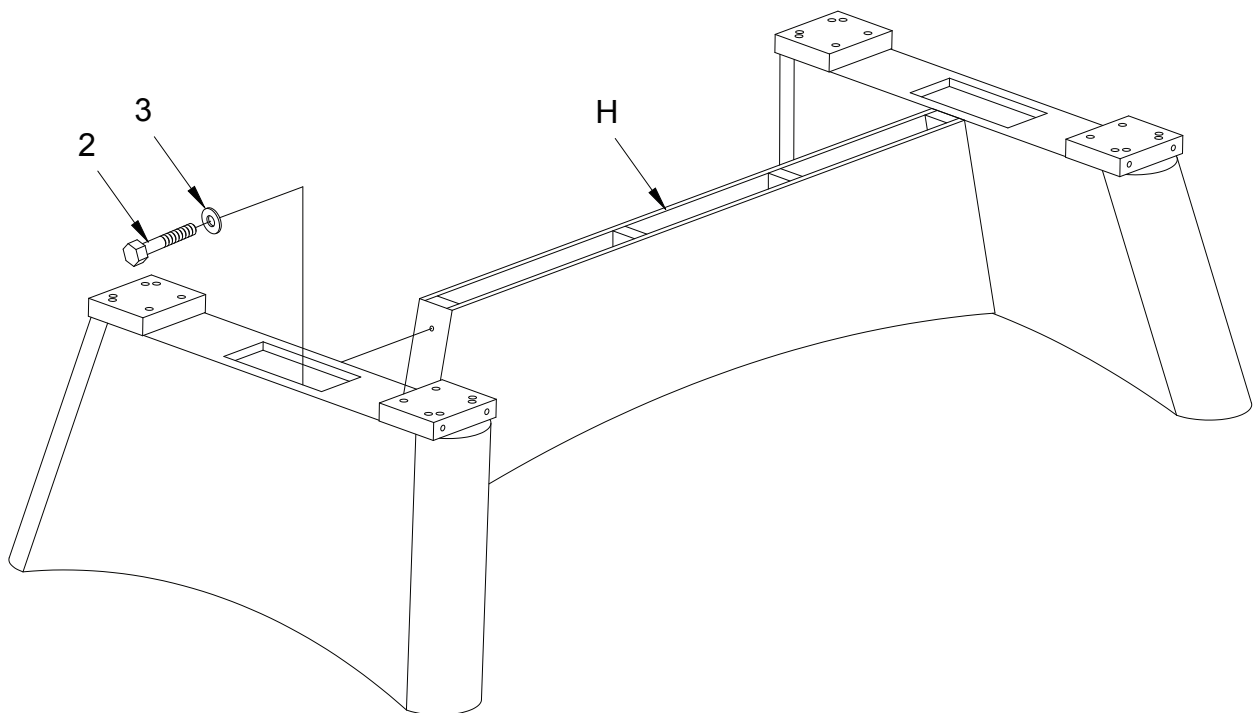
## Parts List

<p>#1</p>  <p>Leg leveller 4 pieces</p>	<p>#2</p>  <p>3/8"x3" Bolt 4 pieces</p>	<p>#3</p>  <p>3/8"x35mm Washer 32 pieces</p>	<p>#4</p>  <p>3/8"x3-1/2" Bolt 20 pieces</p>
<p>#5</p>  <p>3/8"x5-1/2" Bolt 12 pieces</p>	<p>#6</p>  <p>3/8"x2-1/2" Bolt 38 pieces</p>	<p>#7</p>  <p>Slate Leveler 24 pieces</p>	<p>#8</p>  <p>3/8"x130mm Bolt 4 pieces</p>
<p>#9</p>  <p>12#x2-1/2" Screw 12 pieces</p>	<p>#10</p>  <p>3/8"x1-1/2" Bolt 12 pieces</p>	<p>#11</p>  <p>3/8"x32mm Washer 12 pieces</p>	<p>#12</p>  <p>End rail corner 4 pieces</p>
<p>#13</p>  <p>Side rail corner 2 pieces</p>	<p>#14</p>  <p>Apron corner 4 pieces</p>	<p>#15</p>  <p>1/4"x1-3/4" Bolt 2 pieces</p>	<p>#16</p>  <p>1/4"x5/8" Bolt 16 pieces</p>
<p>#17</p>  <p>M10x18mm Washer 18 pieces</p>	<p>#18</p>  <p>3/8"x2" Bolt 18 pieces</p>	<p>#19</p>  <p>3/8"x25mm Washer 22 pieces</p>	<p>#20</p>  <p>3/8"x35mm Washer 18 pieces</p>
<p>#21</p>  <p>T4"x3/4" Screw 6 pieces</p>	<p>#22</p>  <p>3/16"x5/8" Bolt 12 pieces</p>	<p>#23</p>  <p>M5x10mm Washer 12 pieces</p>	

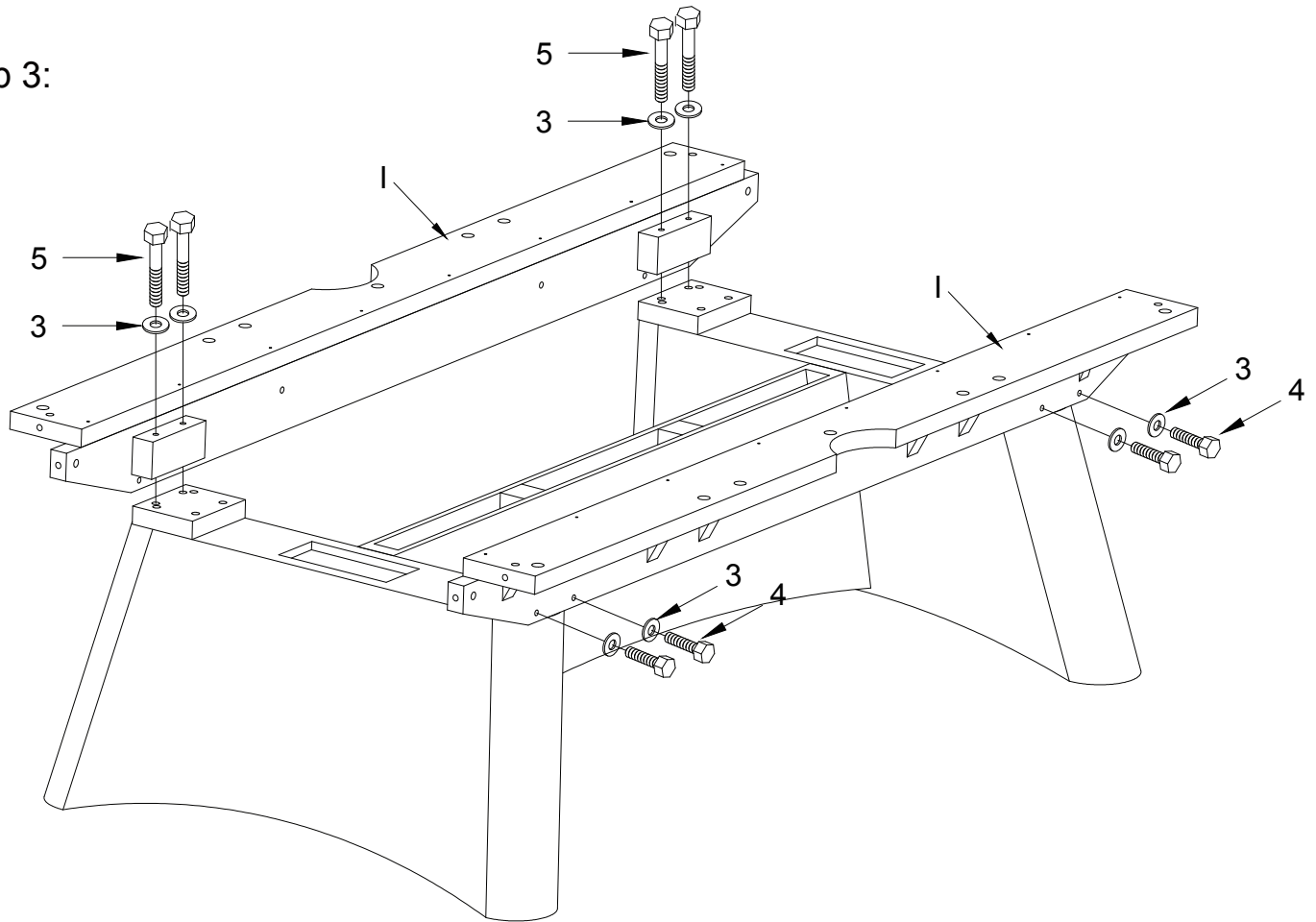
Step 1:



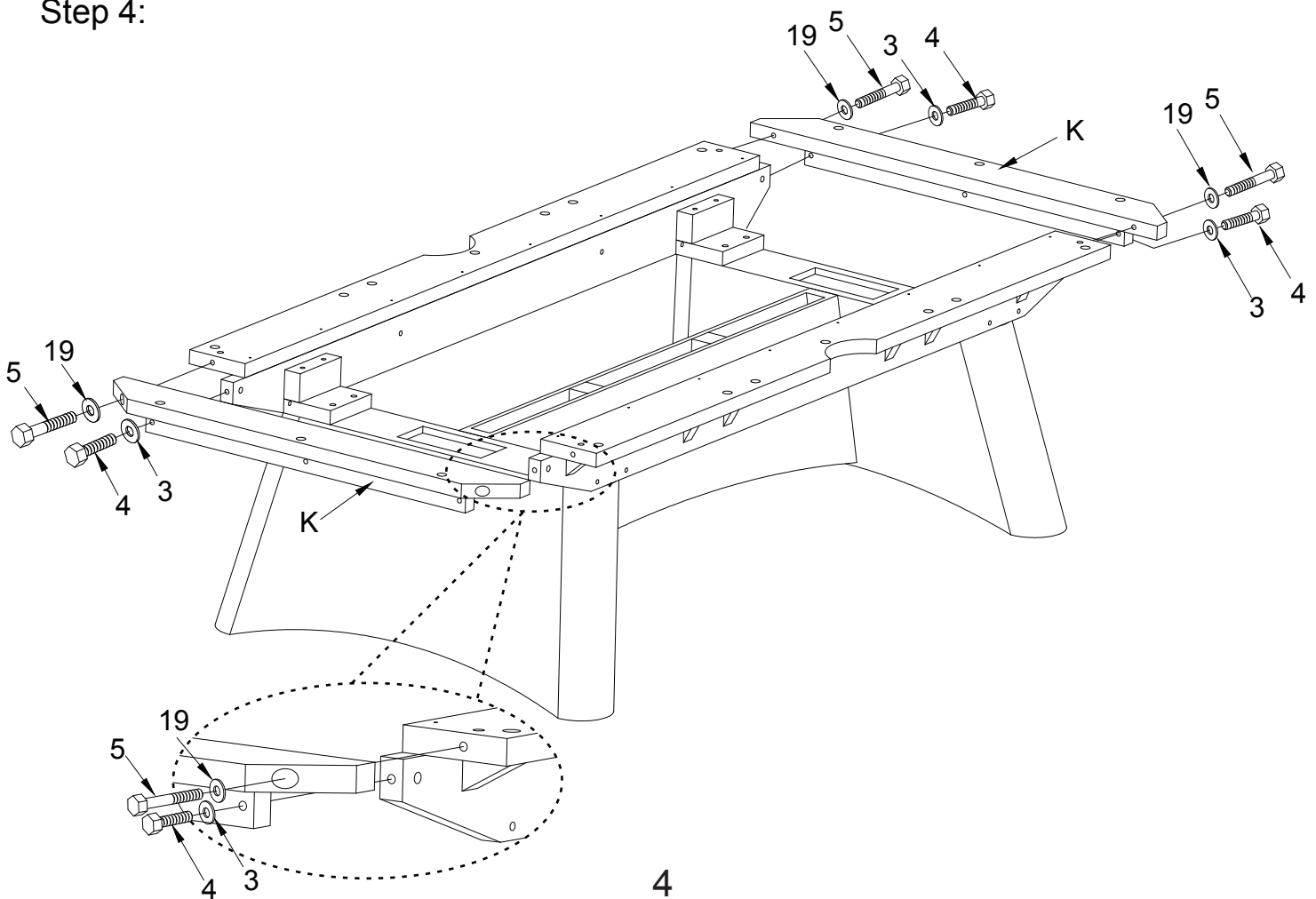
Step 2:



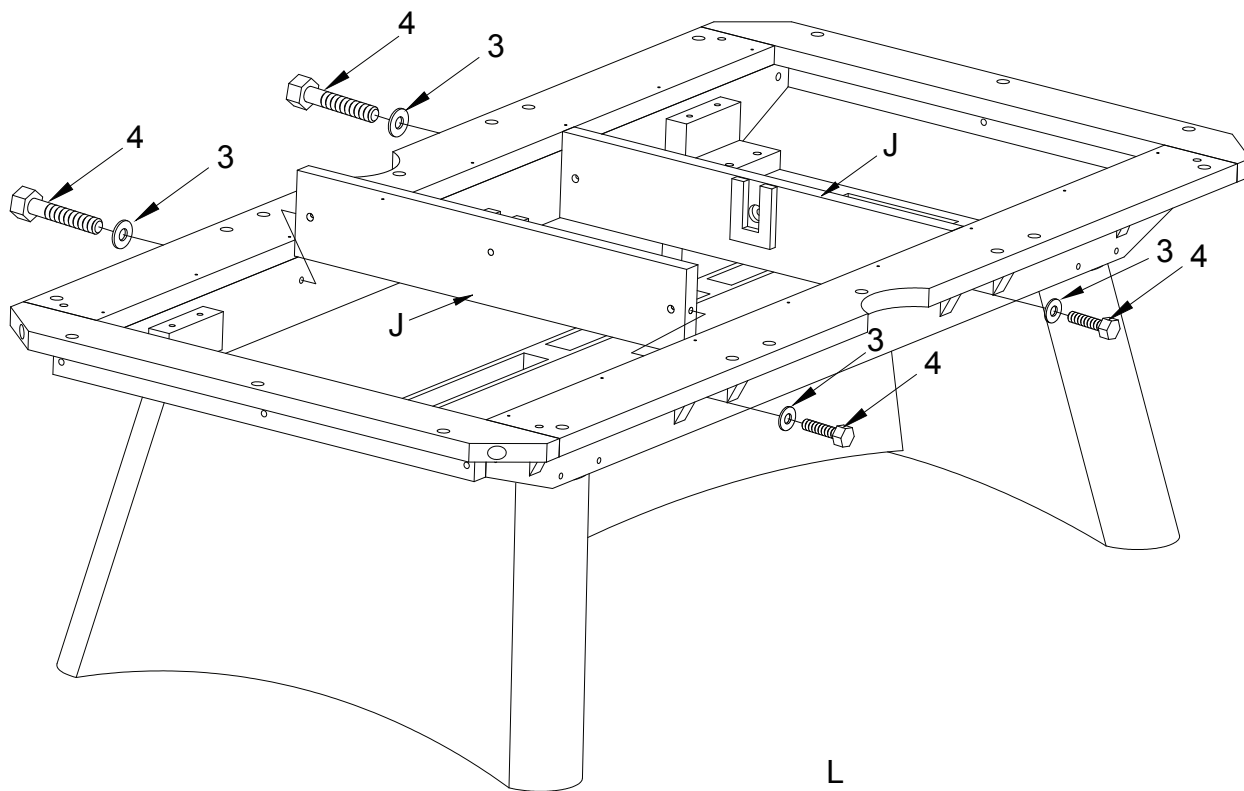
Step 3:



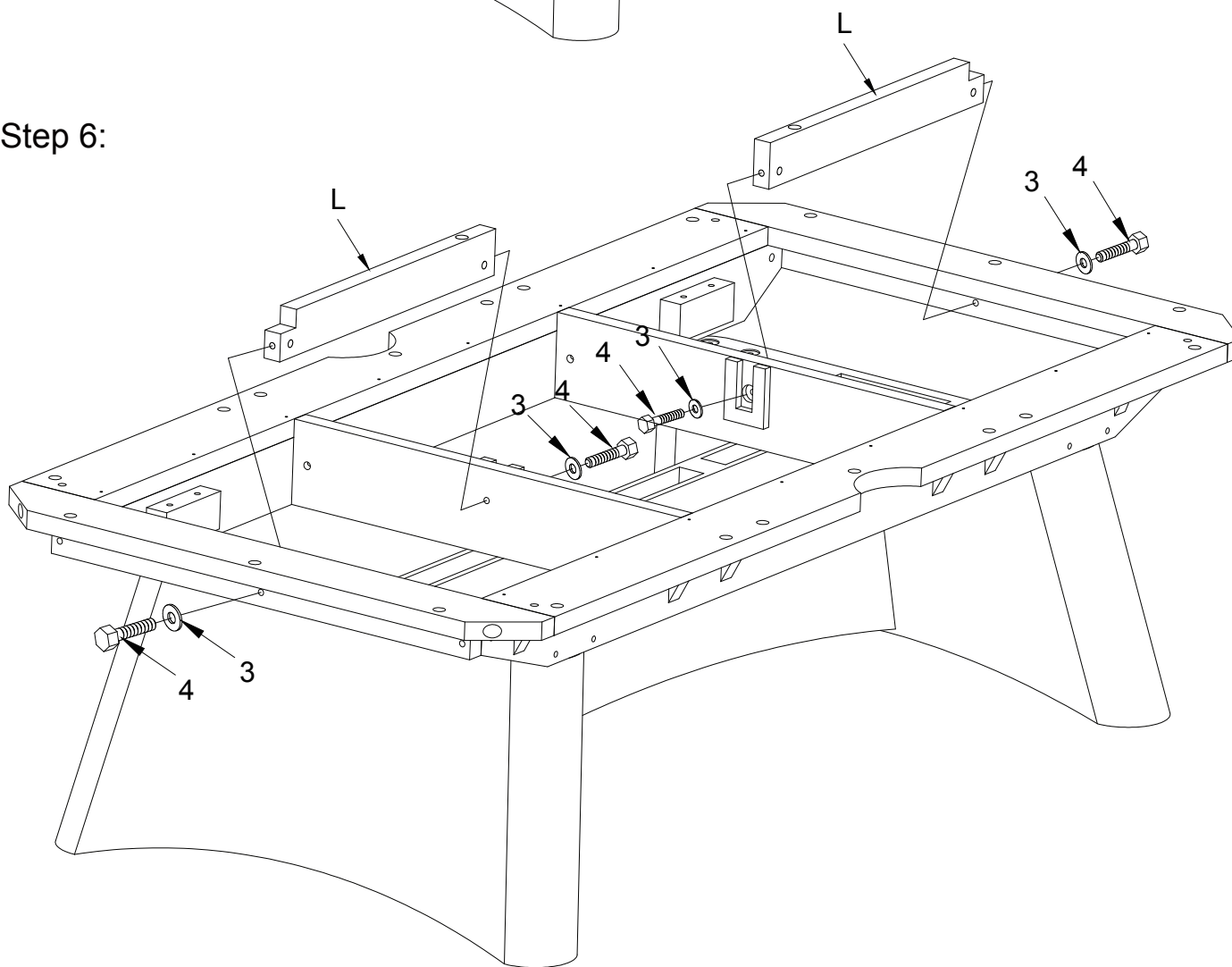
Step 4:



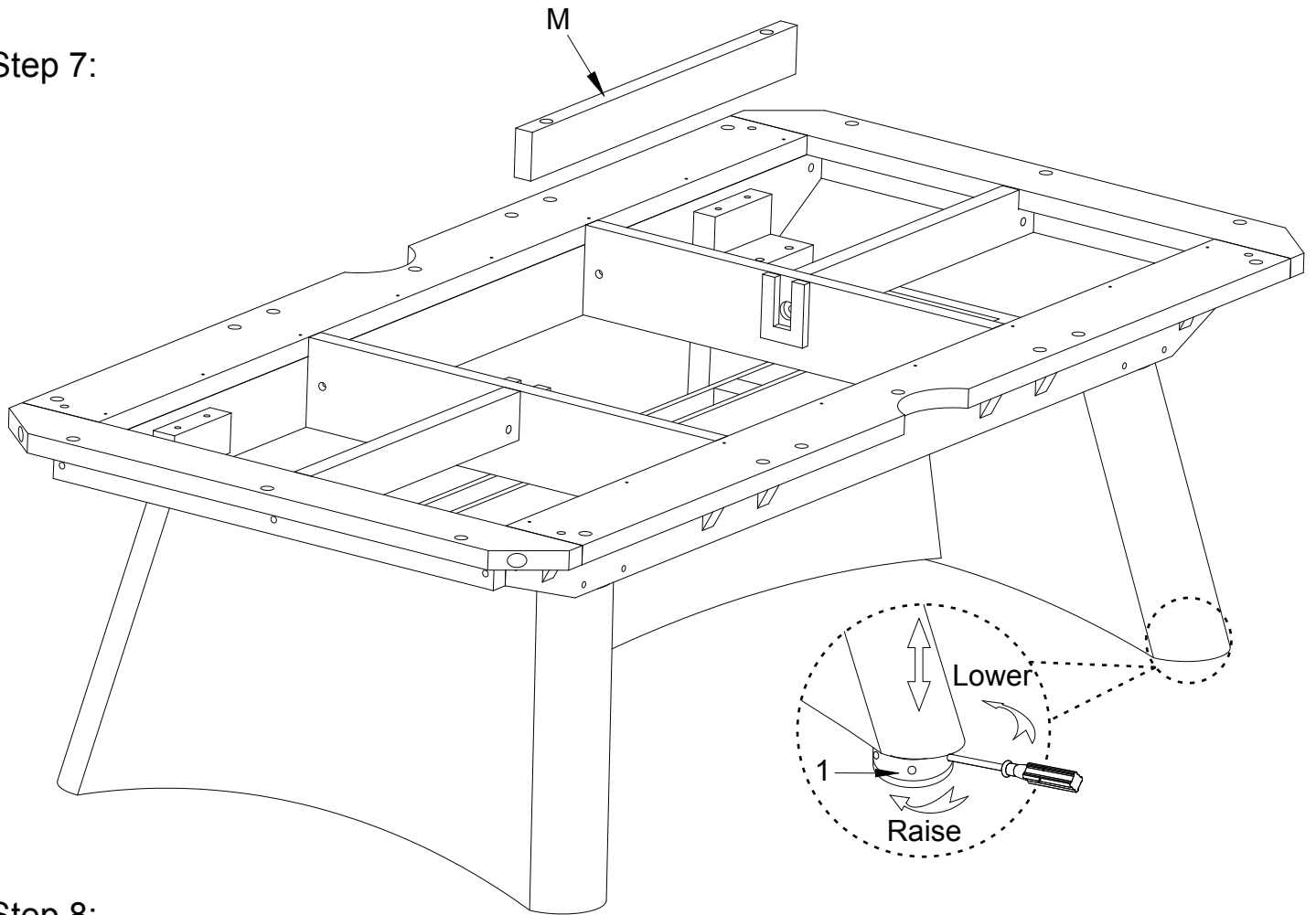
Step 5:



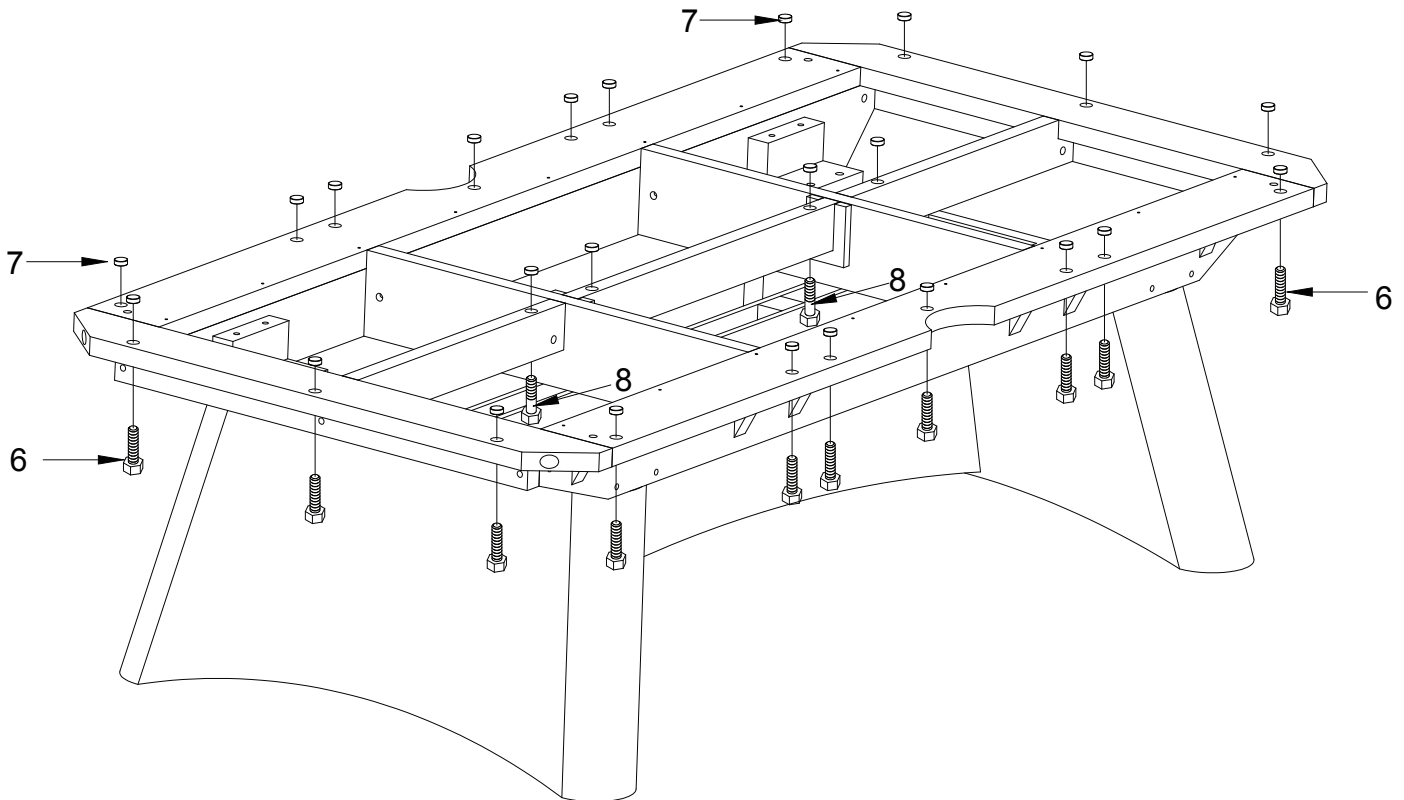
Step 6:



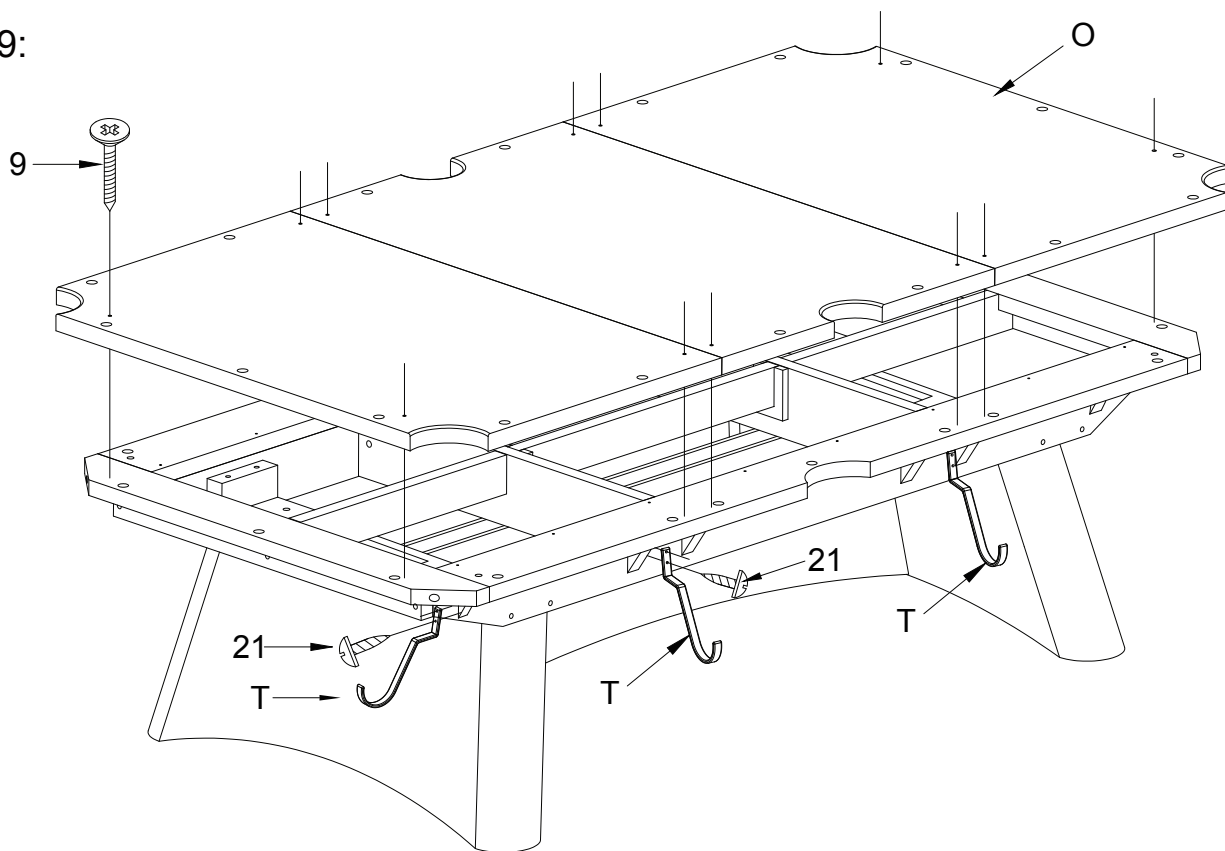
Step 7:



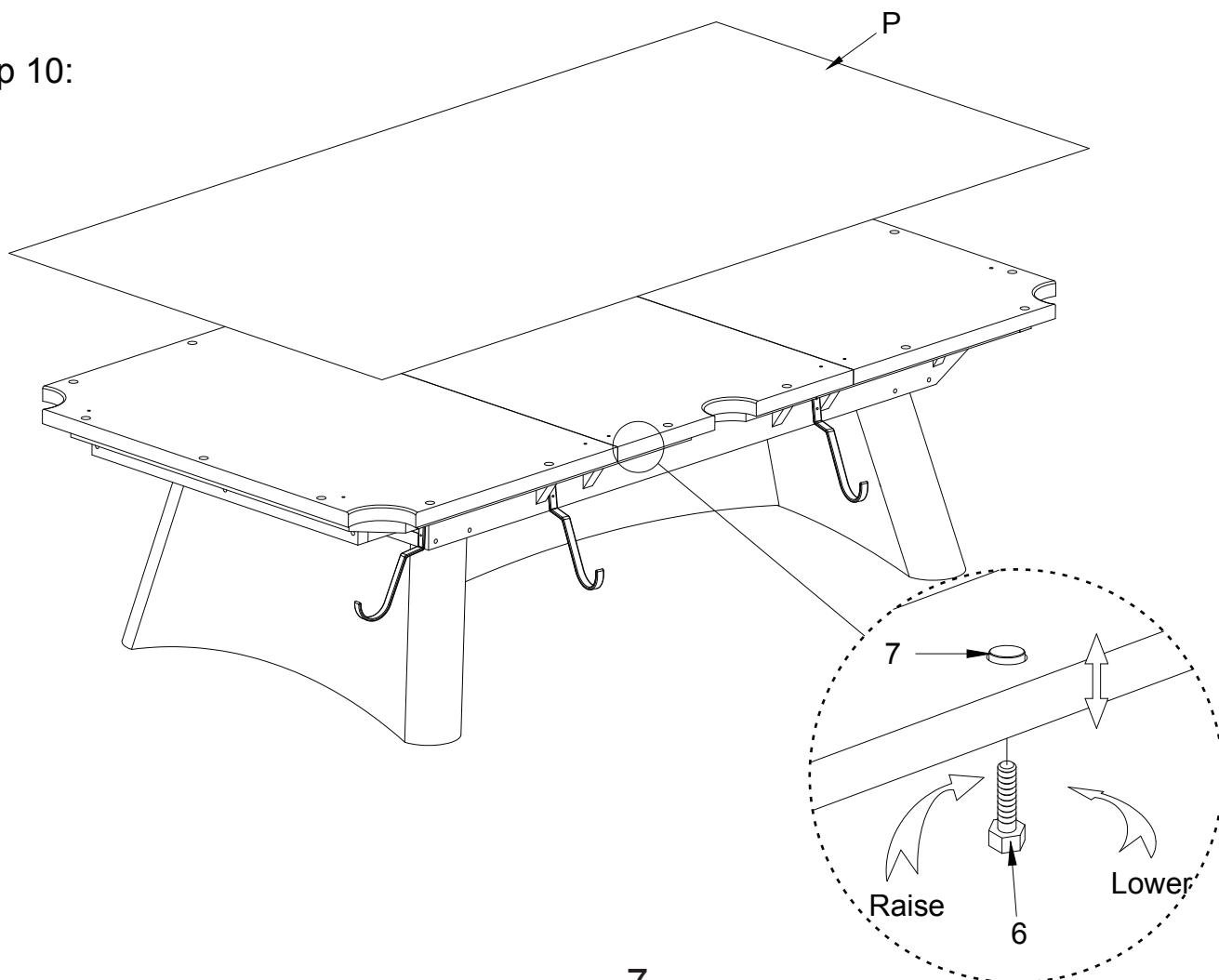
Step 8:



Step 9:

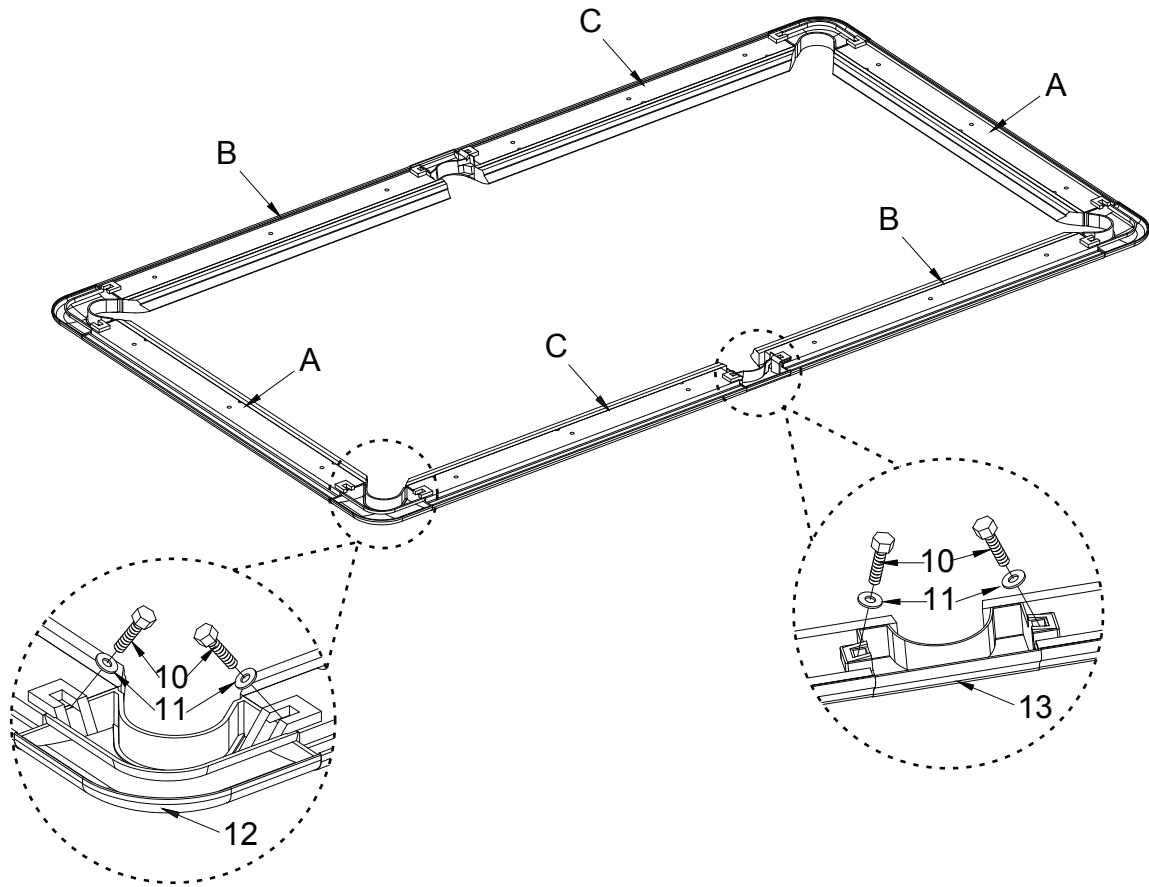


Step 10:

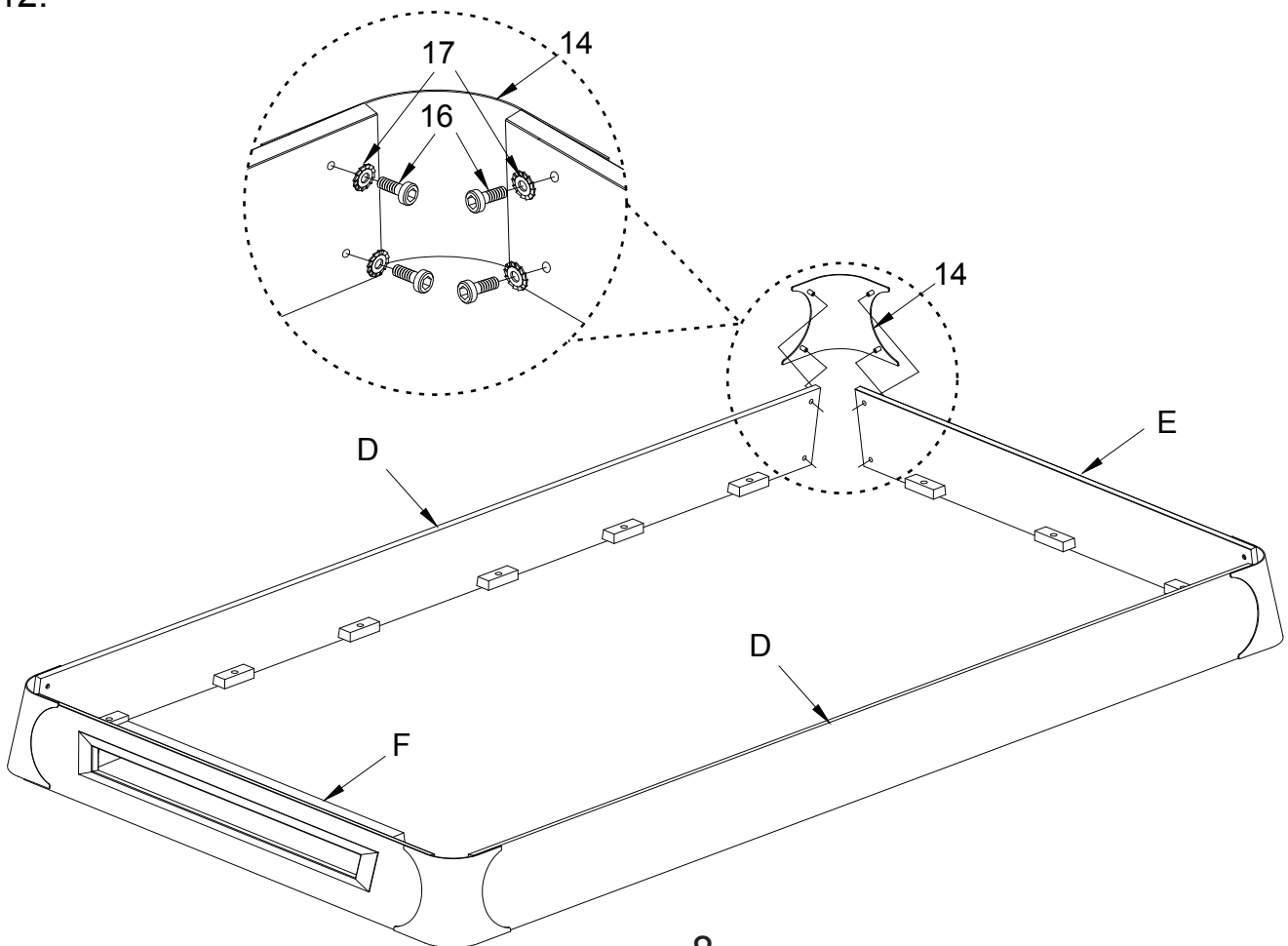




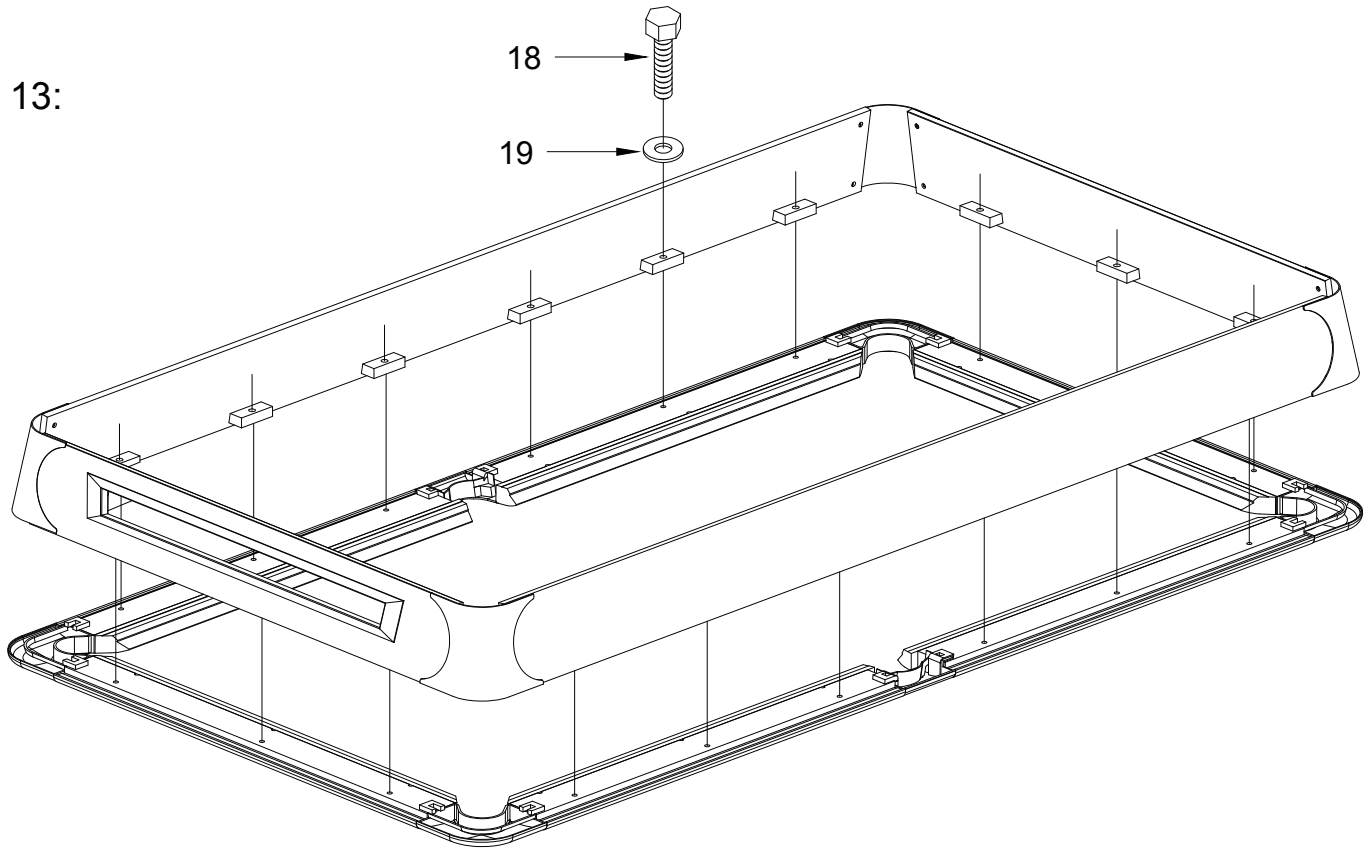
Step 11:



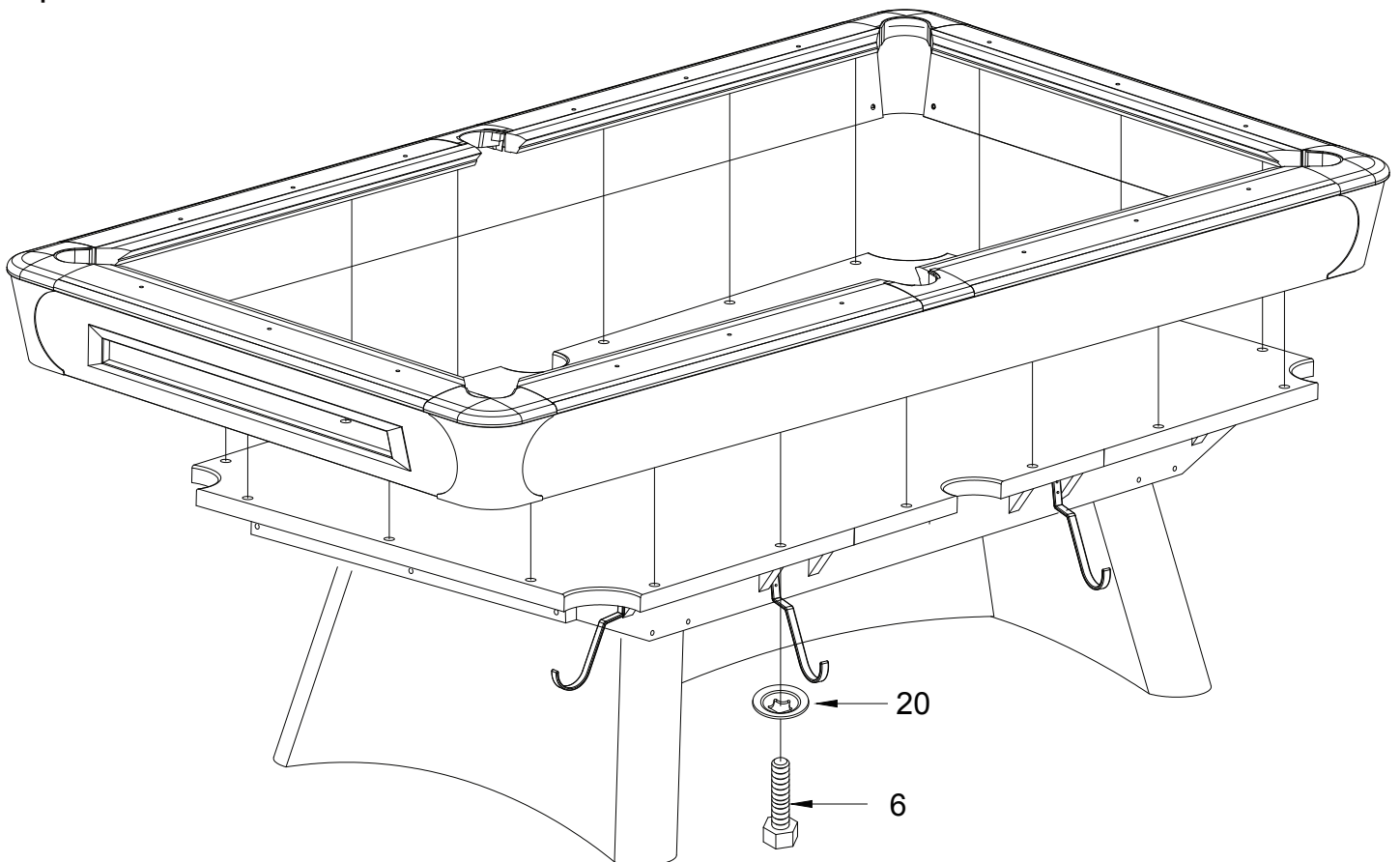
Step 12:



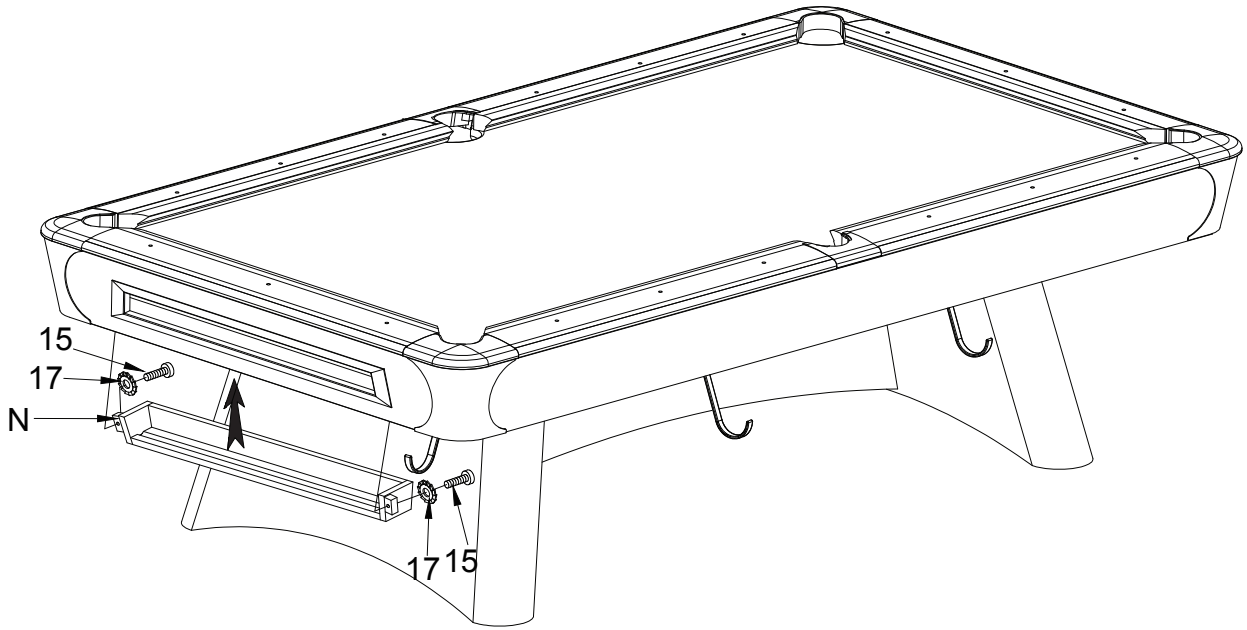
Step 13:



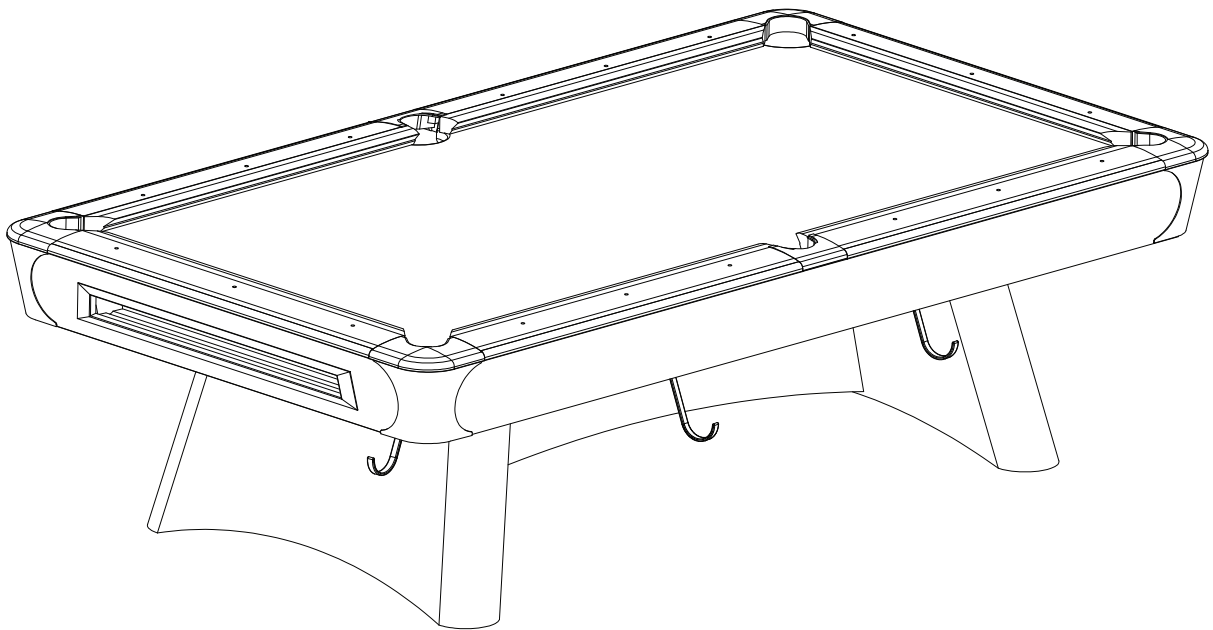
Step 14:



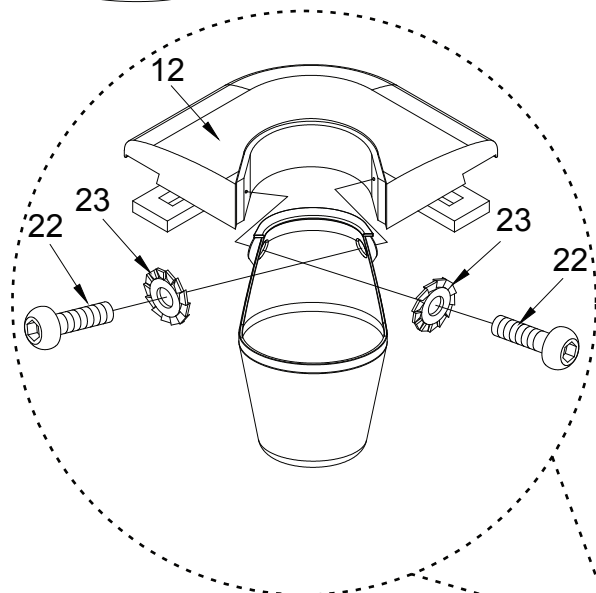
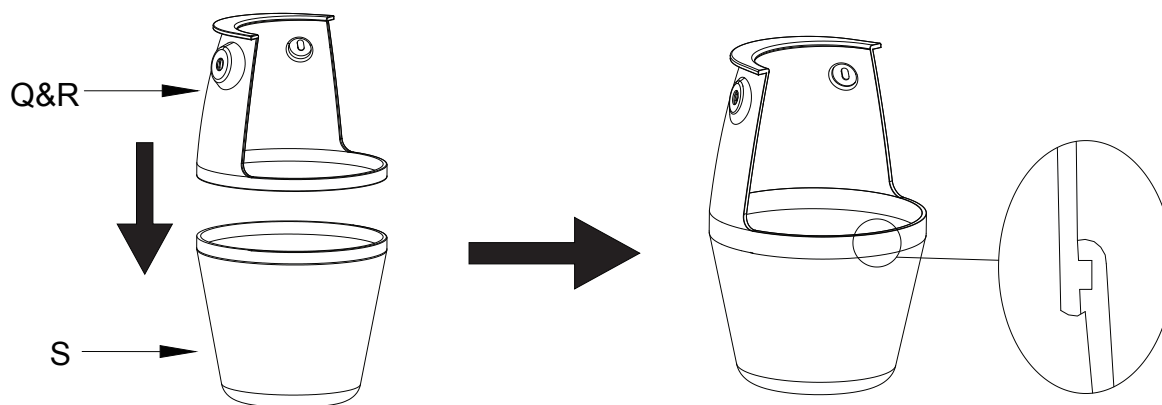
Step 15:



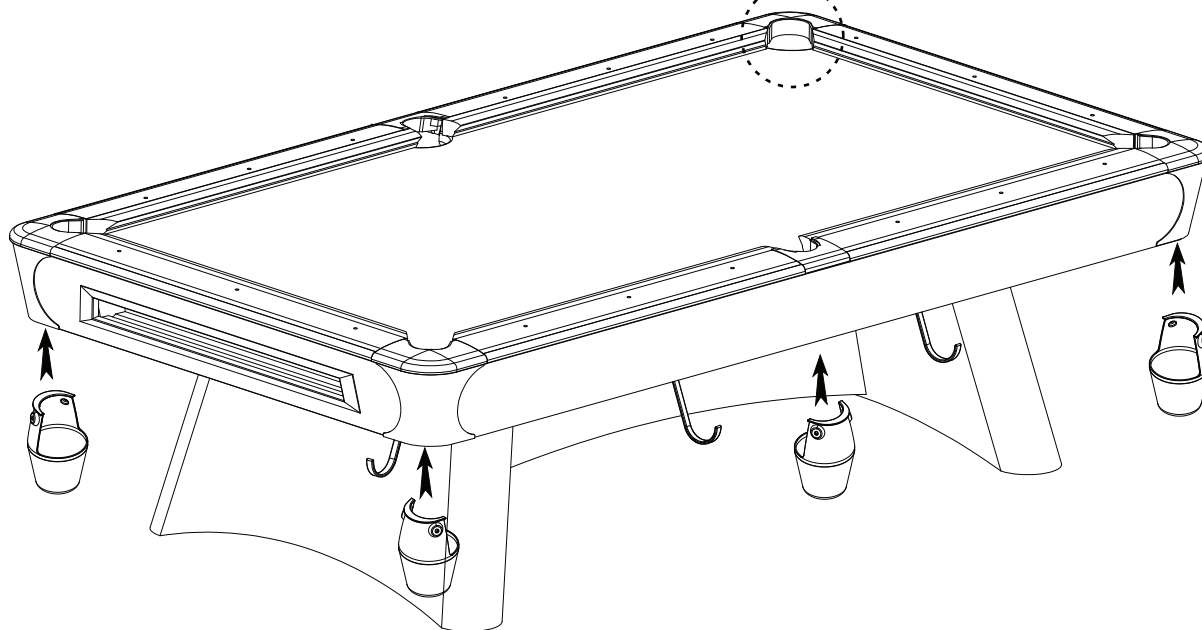
Step 16:



Step 17:



Step 18:



-END-