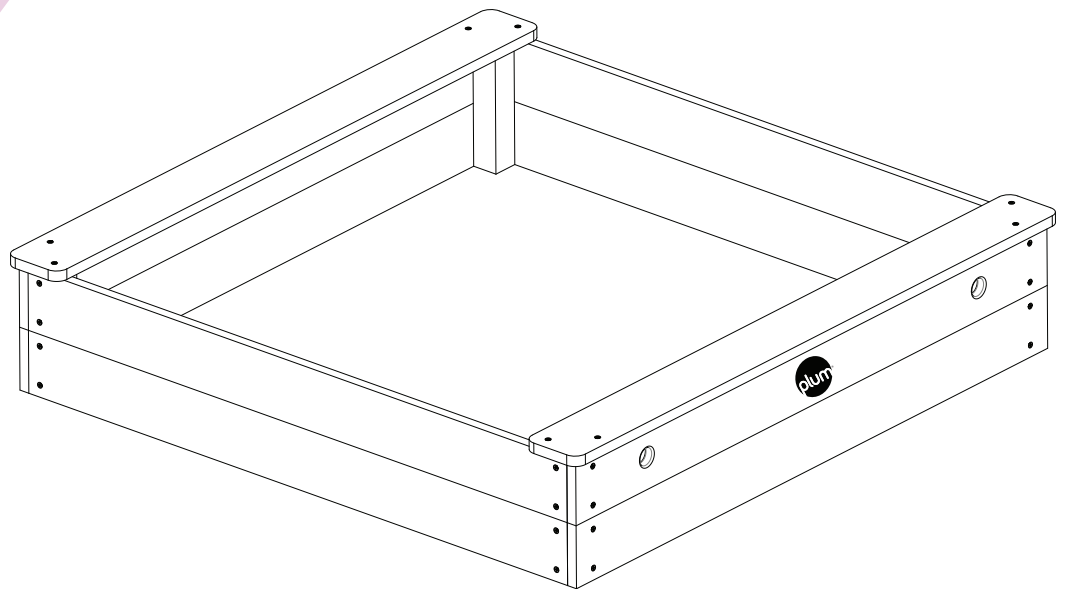




assembly instructions

square wooden sand pit

assembly requires 1 adult
(approx. 30 minutes assembly time)



The mark of
responsible forestry

WARNING! Minimum user age 18 mths +. Maximum user weight 50kg. Adult assembly required. Adult supervision recommended at all times. Only for Domestic use. Outdoor use only.

Advisory Section

To ensure the safety of you, the installer and your children, it is important that these instructions are read fully before commencing the positioning and installation of this product.

Keep your sandpit safe for the children

1. Always cover the sandpit when not in use, to prevent unwanted animals from playing in the sand.
2. The sandpit cover is not a toy and is not intended for use by children. Always remove the cover before allowing children to play with the sandpit
3. Before covering your sandpit, place a large object in the centre of the sand to prop up the cover. This will allow water to drain off the cover, and prevent any rain water from "pooling" in the centre of the sand pit. This must be checked regularly.
4. Should any water still accumulate and form a pool, please ensure that this water is removed. Standing water can pose a danger to children.
5. Regularly check sand for impurities and any other sharp objects that may cause harm to children, including at the beginning of the season.
6. Use washed play sand suitable for use in children's sand pits.
7. Regularly change the sand to ensure that there is no build up of mould and to ensure that the play area is hygienic.
8. In windy and adverse weather conditions place the product in a safe area. In these conditions the product may become a hazard.
9. The sandpit should be placed on a level surface at least 2m from any structure or obstruction such as a fence, garage, house, over hanging branches, laundry lines or electrical wires.
10. The sandpit should not be installed over concrete, asphalt or any other hard surface.

Timber Advice

This product has been made from premium timber. Great care has been taken in selecting, treating and machining the timber before it is presented to you. Timber is a natural product and as such may experience changes throughout the course of its life. This means it may:

- Develop openings (gaps, slits, apertures, cracks, splits) along the line of the grain. These openings are due to the difference in moisture content between the internal and outer surfaces of the timber. This is to be expected, is totally acceptable and will not affect the integral strength, life or guarantee of the product.
- Warp and distort its shape. Any distortion will be slight and will not affect the safety or enjoyment of this product.
- Fade as the timber reacts with sunlight. The timber should be treated with a proprietary product to act as a protective barrier, i.e. a water repellent, on an annual basis.
- After first year of service treat product with a good quality treatment safe for children's use.

Warning! Adult assembly required. Choking hazard. Contains small parts prior to assembly

Routine Maintenance

It is advised that on a regular basis (i.e. at the beginning of the season and monthly thereafter) all main parts/fixings are checked as secure, well oiled (if metallic), have no sharp points/edges and are intact. Replace, oil and/or tighten when necessary. Failure to do so may result in an injury or hazard. Replace defective parts immediately, for further information contact customer services.

Remember to keep these instructions in a safe place for future reference

For warranty information please refer to our website.

Plum Products Ltd,
The Cliff, Middle Street
Ingham, Lincolnshire, LN1 2YQ, UK
Tel: +44 (0) 344 880 5302,
Fax: +44 (0) 152 273 0379
customerservices@plumproducts.com
www.plumproducts.com
Copyright Plum Products 2013

Plum Products Australia Pty Ltd,
303/154-158 Military Road,
Neutral Bay,
NSW 2088,
Australia
Tel: 02-99605500
Helpline: 1800 900 161
Email: aushelpdesk@plumproducts.com

WARNINGS

Minimum user age 18 mths +
Adult assembly required
Adult supervision recommended at all times
Maximum user weight 50Kg
Only for Domestic use
Outdoor use only
keep instructions for future reference

AVERTISSEMENT !

Age minimum de l'utilisateur 18 mois +
Assemblage par un adulte nécessaire
Ne jamais laisser un enfant jouer sans surveillance
Poids maximum de l'utilisateur 50Kg
Usage domestique uniquement
Destiné à l'usage externe uniquement
N'oubliez pas de garder ces instructions dans un lieu sûr pour référence ultérieure.

ACHTUNG!

Das Mindestalter für Benutzer beträgt 18 Monate +
Montage muss durch einen Erwachsenen erfolgen
Sollte nur unter unmittelbarer Aufsicht von Erwachsenen benutzt werden
Höchstgewicht des Benutzers 50Kg
Nur für den Hausgebrauch
Nur zur Nutzung im Freien geeignet
Denken Sie daran, dass Sie diese Anleitung für eine spätere Nutzung sicher aufbewahren

ATTENZIONE!

Età minima dell'utente anni.
È necessario l'assemblaggio di un adulto.
Si raccomanda sempre la supervisione di un adulto.
Peso massimo dell'utente 50Kg
Solo per uso domestico.
Solo per uso esterno.
Ricordarsi di conservare le presenti istruzioni in un luogo sicuro per consultazione futura.

WAARSCHUWING!

Minimum leeftijd van gebruiker: jaar
Montage door een volwassene vereist
Toezicht van een volwassene te allen tijde aanbevolen
Maximum gewicht van gebruiker 50Kg
Alleen voor gebruik binnenshuis
Alleen voor gebruik buiten
Bewaar deze instructies op een veilige plaats zodat u ze later kunt raadplegen.

AVERTENCIA

Edad mínima del usuario 18 meses
El montaje de este juguete debe llevarlo a cabo un adulto.
Se recomienda en todo momento la supervisión de un adulto.
Peso máximo del usuario: 50Kg
Utilícese exclusivamente en el ámbito doméstico.
Utilícese exclusivamente al aire libre.
Recuerde conservar estas instrucciones en un lugar seguro para poderlas consultar en el futuro.

VAROVÁNÍ!

Minimální věk uživatele je let
Vyžaduje se montáž dospělou osobou
Doporučuje se po celou dobu dozor dospělé osoby
Maximální hmotnost uživatele
Pouze pro domácí použití
Pouze pro venkovní použití
Nezapomeňte si uschovat tyto pokyny na bezpečném místě pro potřeby budoucích odkazů

UPOZORNENIE

Minimálny vek používateľa je 18 mesiac
Vyžaduje sa montáž dospelou osobou
Dozor dospeléj osoby sa odporúča po celú dobu
Maximálna hmotnosť používateľa 50Kg
Iba pre domáce použitie
Iba pre vonkajšie použitie
Nezabudnite si uschovať tieto pokyny na bezpečnom mieste pre budúce použitie

تحذير!

الحد الأدنى لعمر شهر 18
يتطلب لتجميع أجزاء الجهاز شخص بالغ
مدخستسما نزول مصقأل دحل 50KG
ينصح بضرورة وجود إشراف دائم من كبار السن عند استخدام الجهاز.
للاستخدام الداخلي فقط
للاستخدام في الهواء الطلق فقط
احرص على تذكر ضرورة الاحتفاظ بهذه التعليمات في مكان آمن للرجوع إليها مستقبلاً

OSTRZEŻENIE!

Minimalny wiek użytkownika: 18 miesięcy
Wymaga montażu przez osobę dorosłą
Zalecany jest stały nadzór osoby dorosłej
Maksymalna waga użytkownika 50KG
Tylko do użytku domowego
Tylko do stosowania na dworze
Pamiętaj, żeby niniejsze instrukcje zachować w bezpiecznym miejscu na przyszłość

ADVARSEL!

Minimum bruger alder 18 måneder
Skal samles af en voksen
Bør altid anvendes under opsyn af en voksen
Maksimum brugervægt 50Kg
Kun til hjemmebrug
Kun til udendørs brug
Husk at gemme disse vejledninger på et sikkert sted for fremtidig brug.

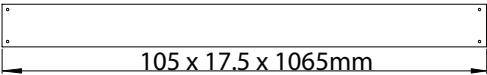
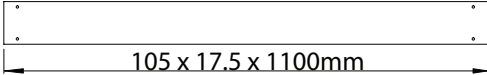
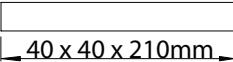
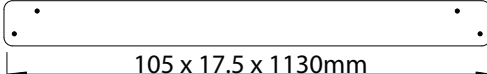
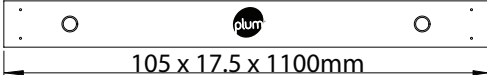
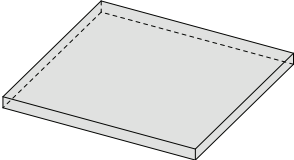
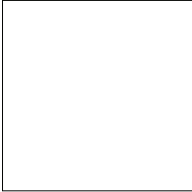
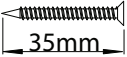
UYARI!

Minimum kullanıcı yaşı 18 ay
Bir yetişkin tarafından monte edilmesi gerekir
Her zaman yetişkin gözetimi önerilir
Maksimum kullanıcı ağırlığı 50Kg
Yalnızca ev kullanımı için
Yalnızca dış mekan kullanımı
İleride bakabilmek için bu açıklamaları güvenli bir yerde saklamayı unutmayın

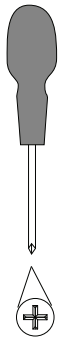
FIGYELMEZTETÉS!

Minimális felhasználó kora 18 hónapok
Felnőtt összeszerelése szükséges
Minden alkalommal egy felnőtt felügyelete mellett ajánlott
Max. terhelhetőség 50Kg
Csak otthoni használatra
Kültéri használatra
Ne feledje, hogy ezeket az utasításokat biztonságos helyen tartsa későbbi használat esetére

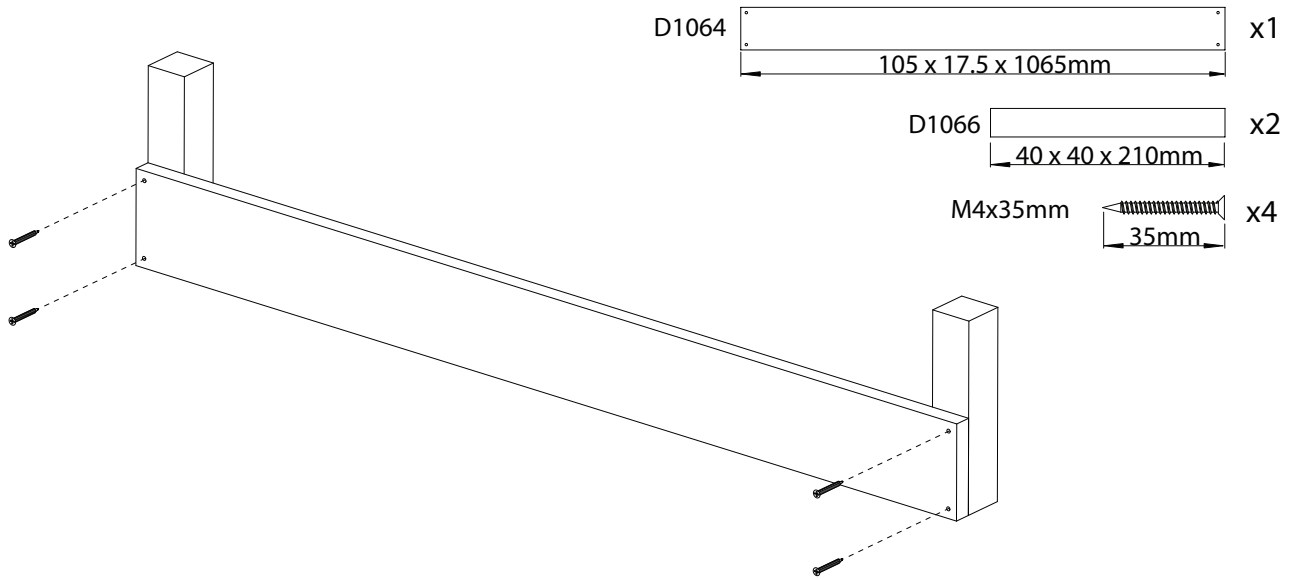
PARTS LIST

PART ID	DIMENSIONS WITH GRAPHIC	QUANTITY
D1064		x4
D1065		x3
D1066		x4
D1067		x2
D1628		x1
D1068		x1
D1069		x1
M4x35MM		x40

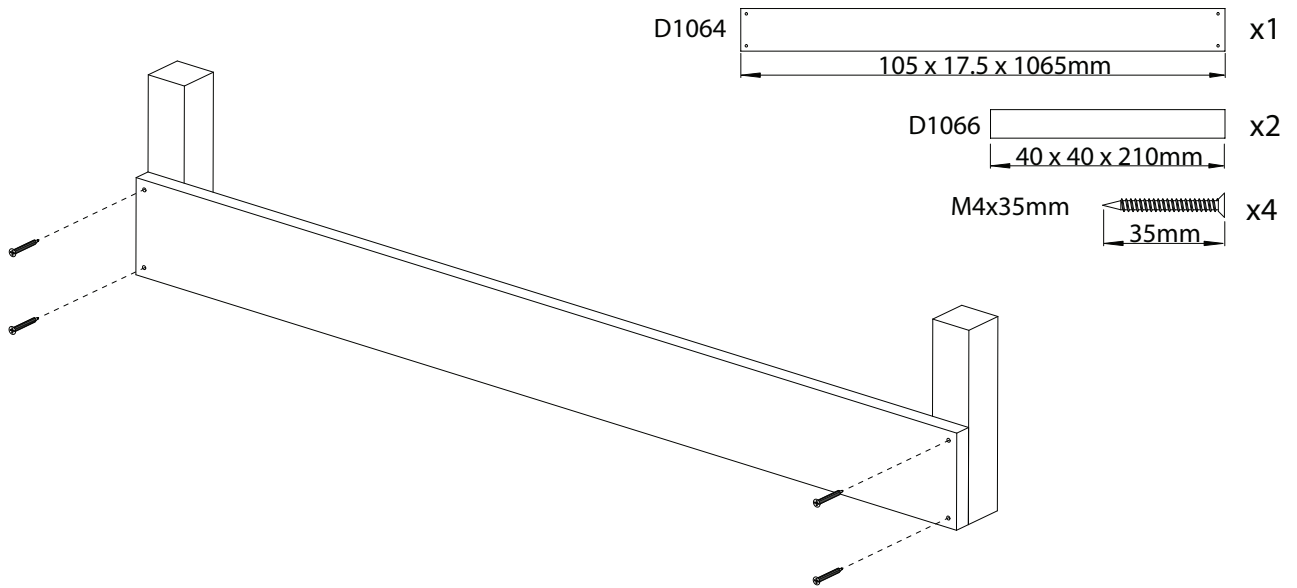
TOOLS REQUIRED:



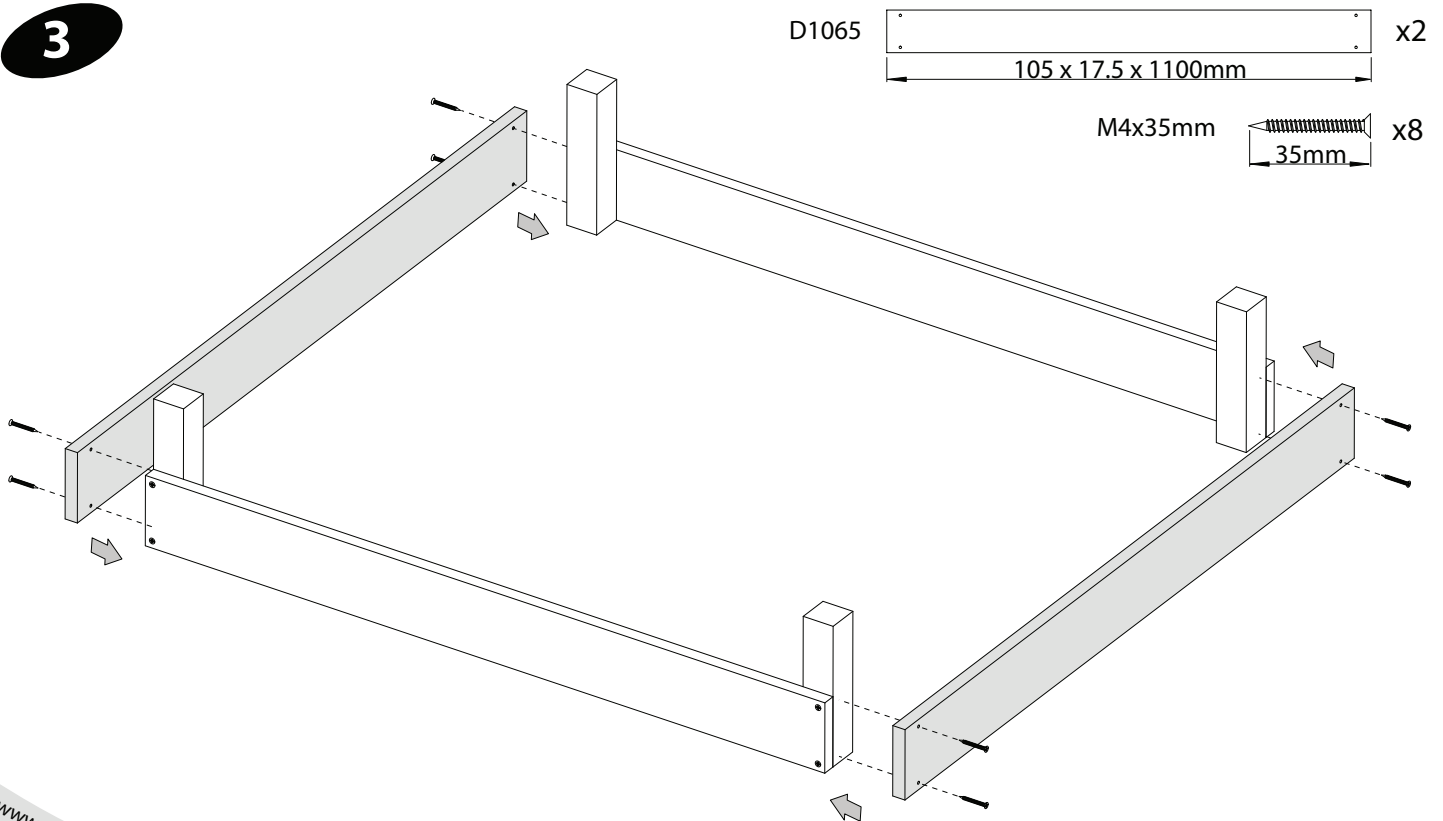
1



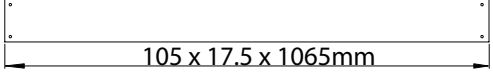
2

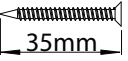


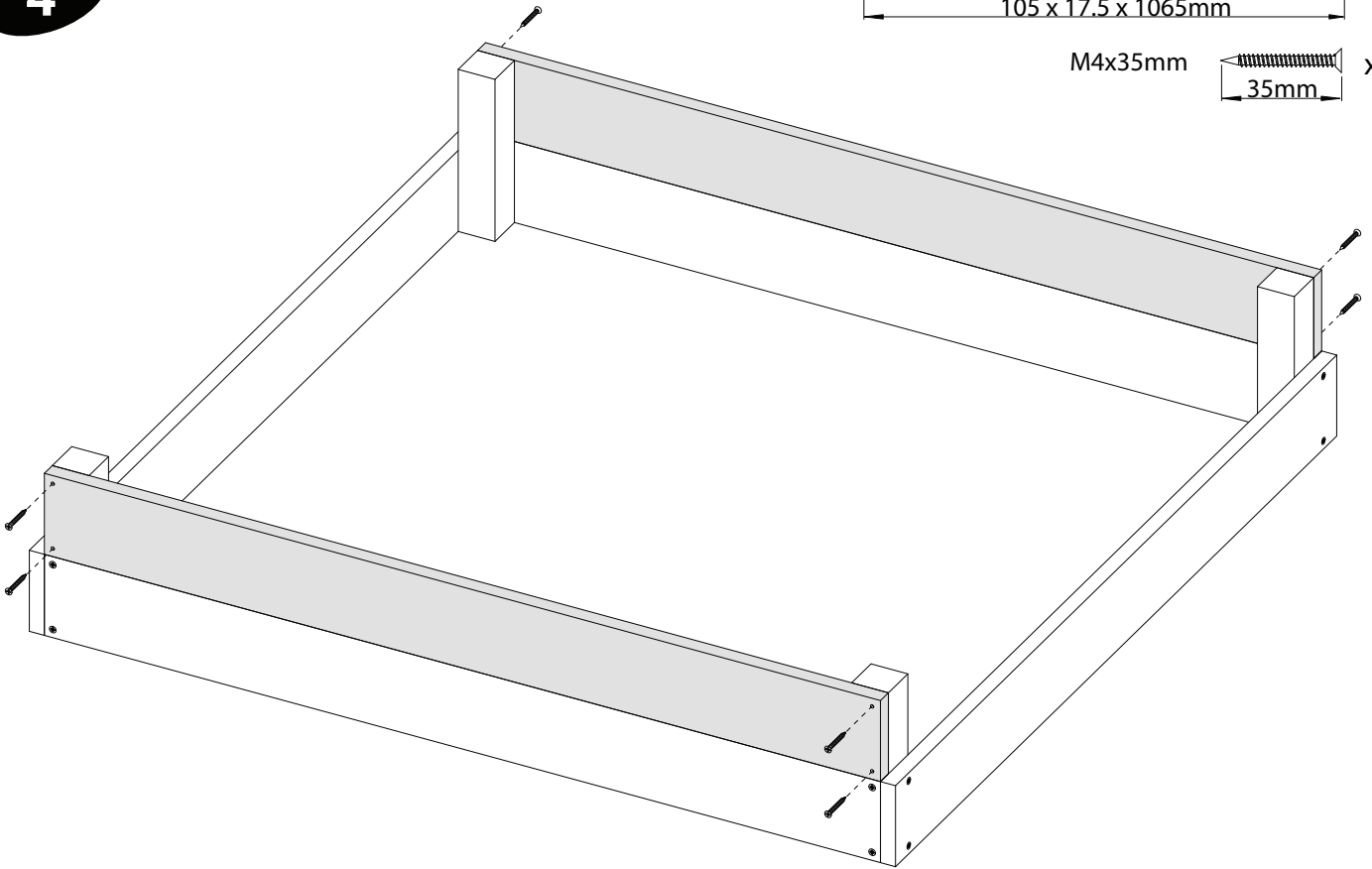
3



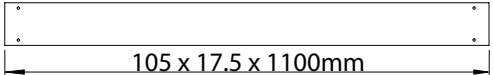
4

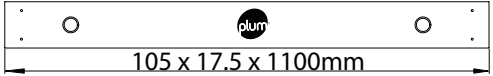
D1064  x2
105 x 17.5 x 1065mm

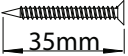
M4x35mm  x8
35mm

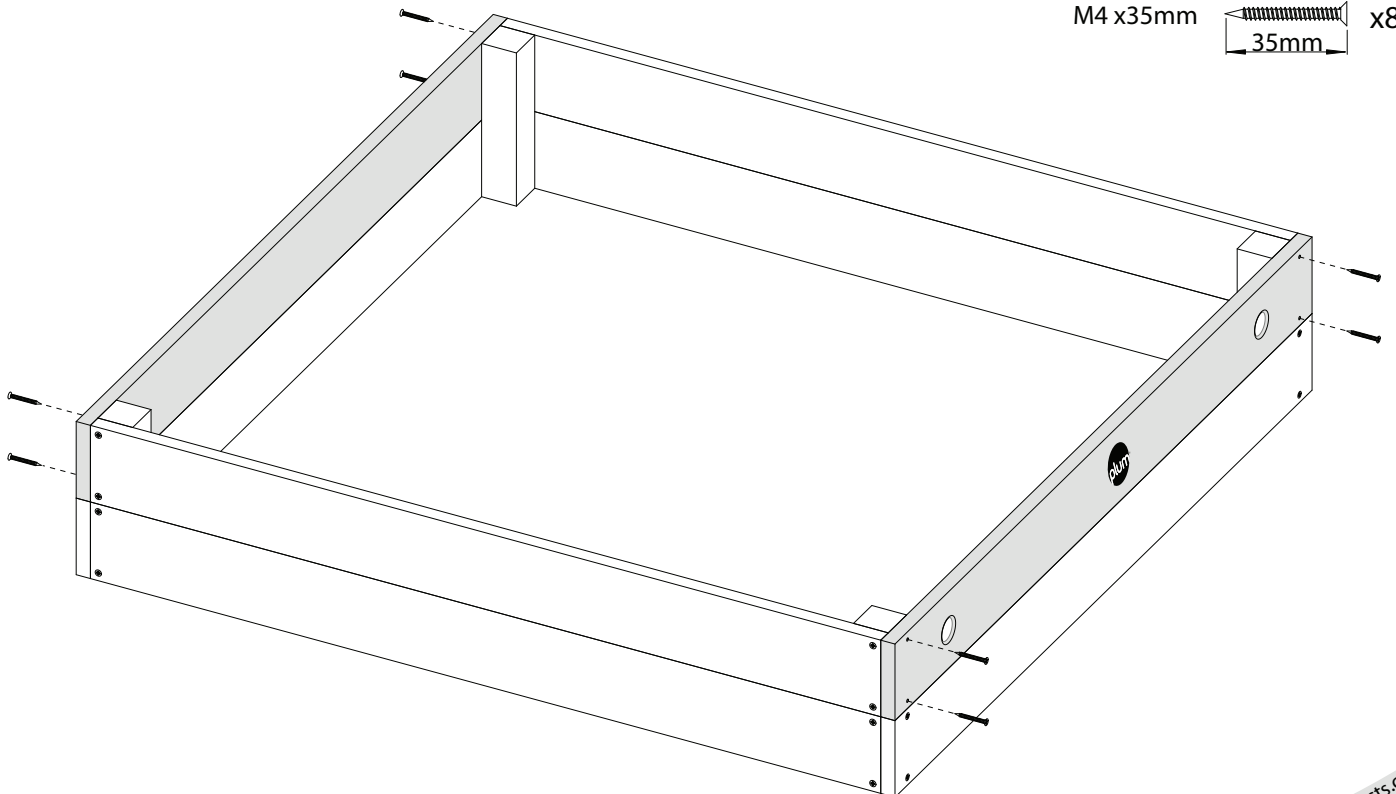


5

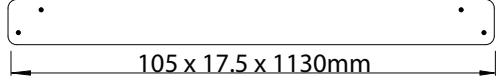
D1065  x1
105 x 17.5 x 1100mm

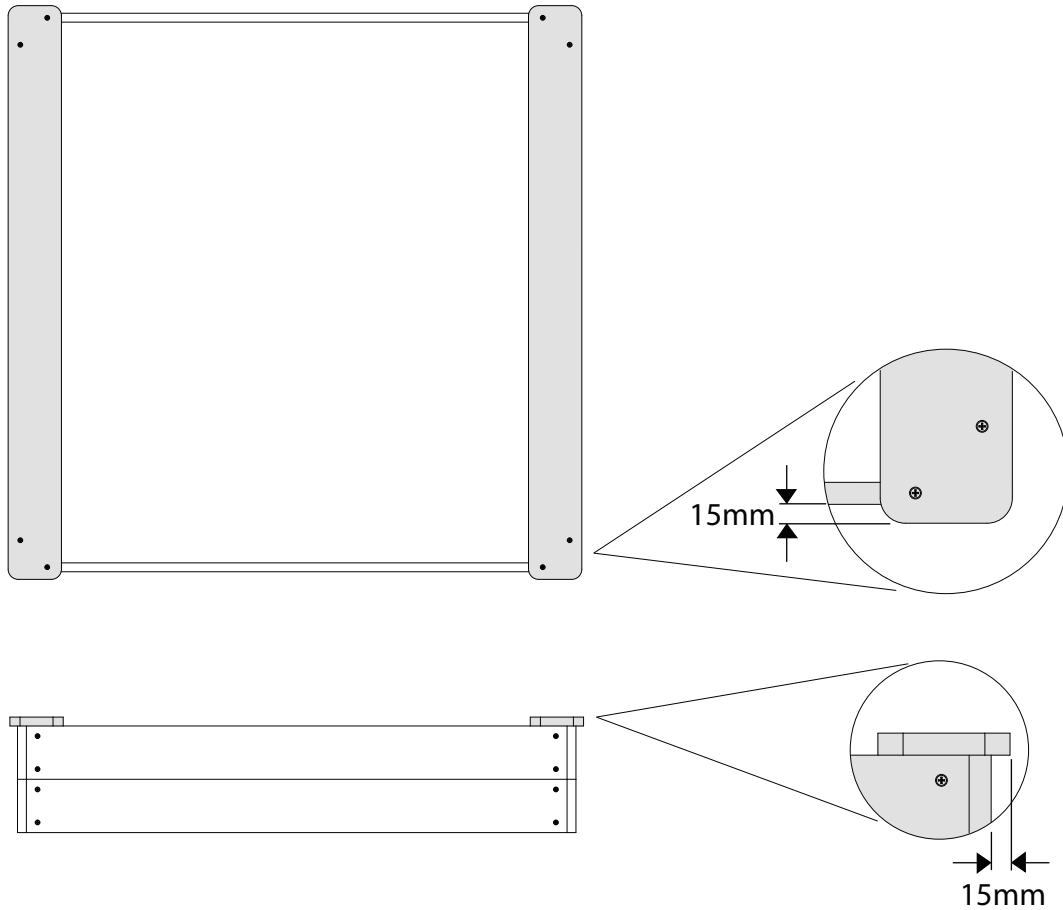
D1628  x1
105 x 17.5 x 1100mm

M4 x35mm  x8
35mm

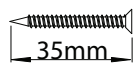


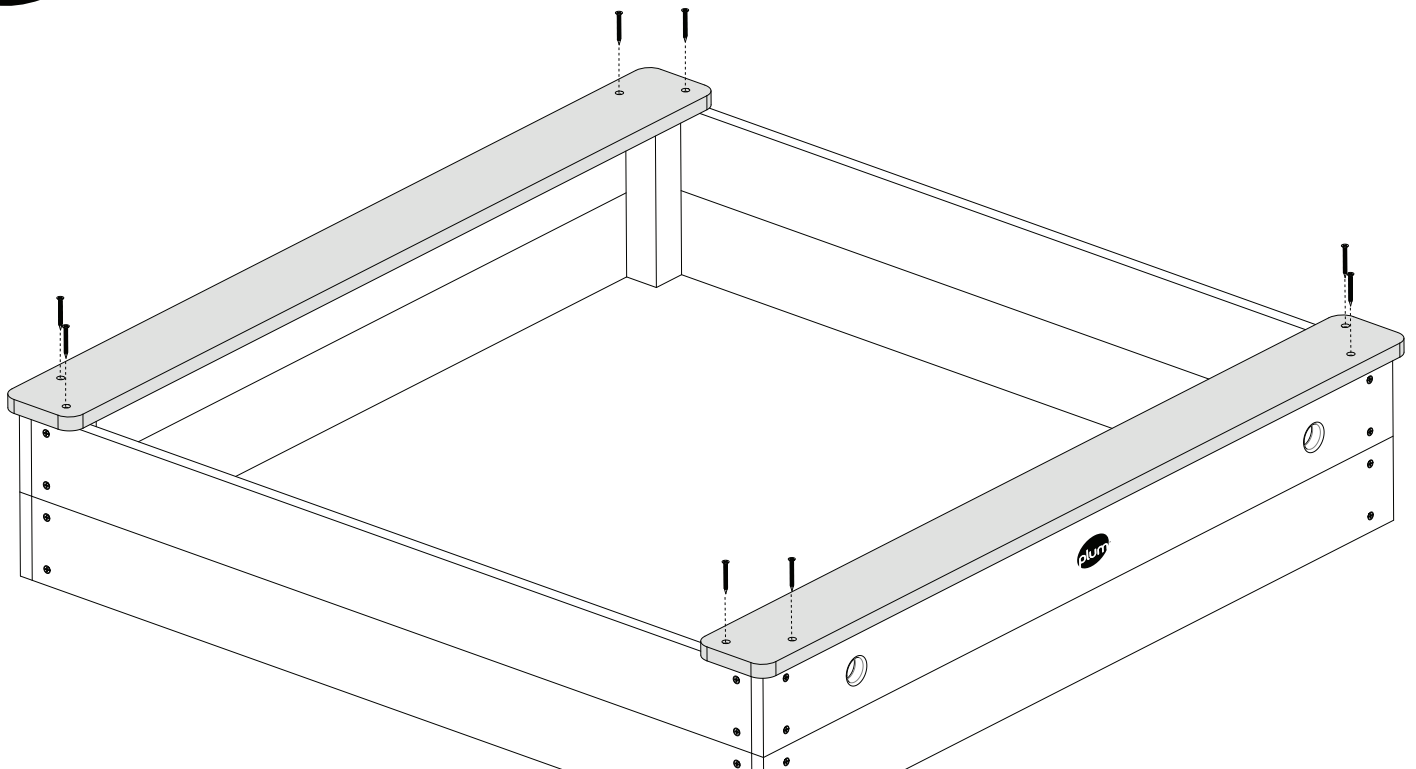
6

D1067  x2



7

M4x35mm  x8



Thank you for purchasing a Plum Product. Product safety and customer satisfaction are our priorities and we value your opinion. If you could spare two minutes to complete the customer feedback survey at <http://www.plumproducts.com/feedback> we would appreciate it.